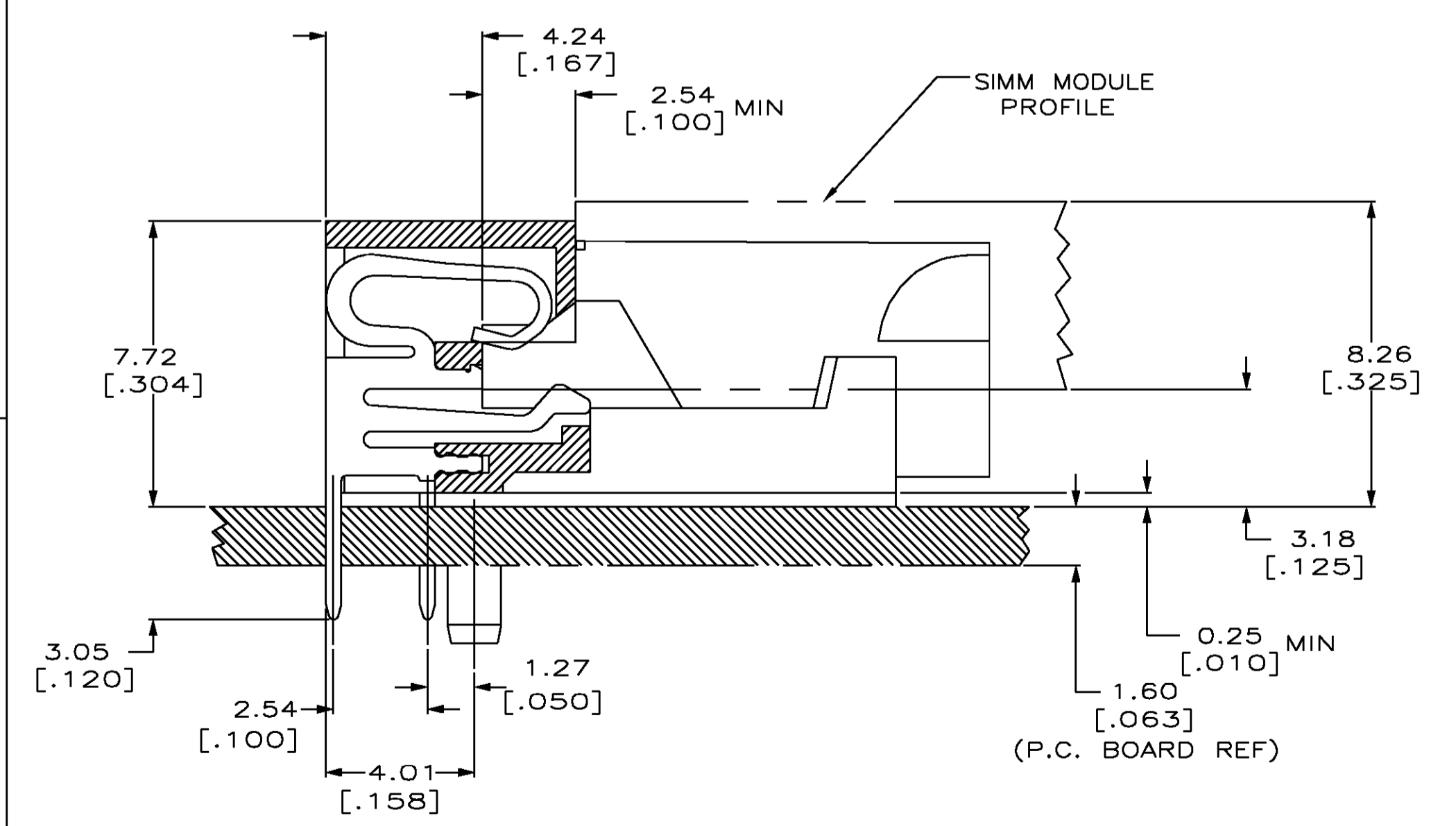
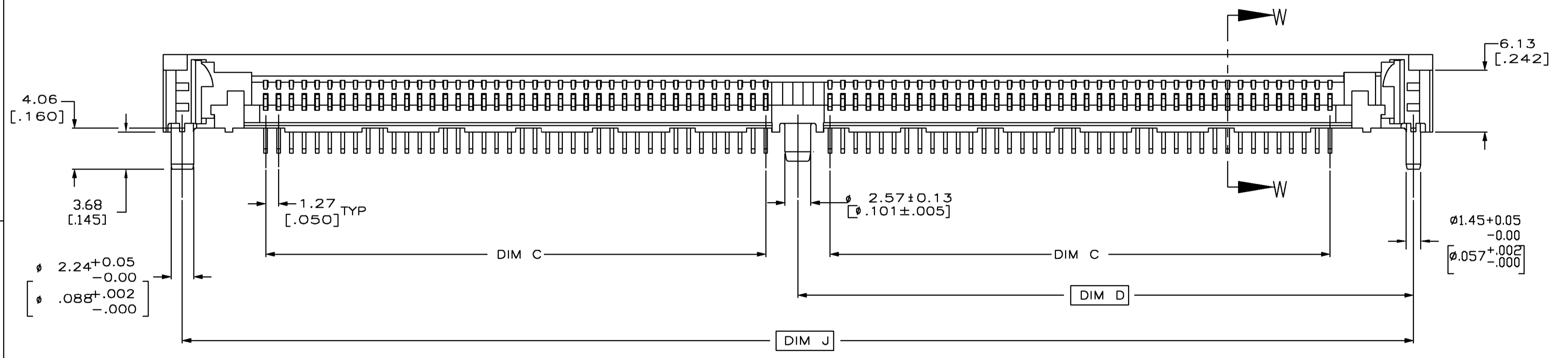
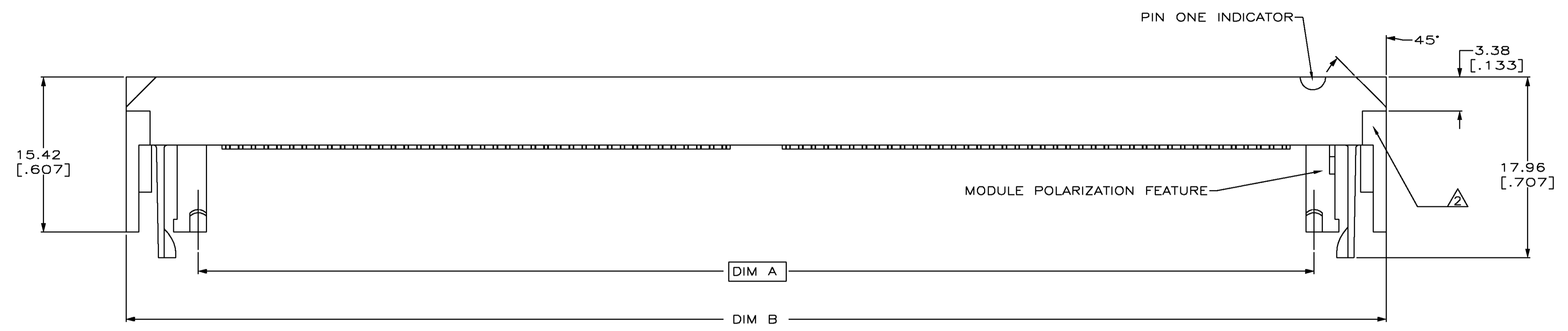


THIS DRAWING IS UNPUBLISHED.
 RELEASED FOR PUBLICATION
 COPYRIGHT BY TYCO ELECTRONICS CORPORATION. ALL RIGHTS RESERVED.

LOC		DIST		REVISONS			
#	DATE	BY	APPD	DESCRIPTION	DATE	BY	APPD
GP	00						
G		REV PER EC	OS1D-0134-00		27FEB01	MM	JR

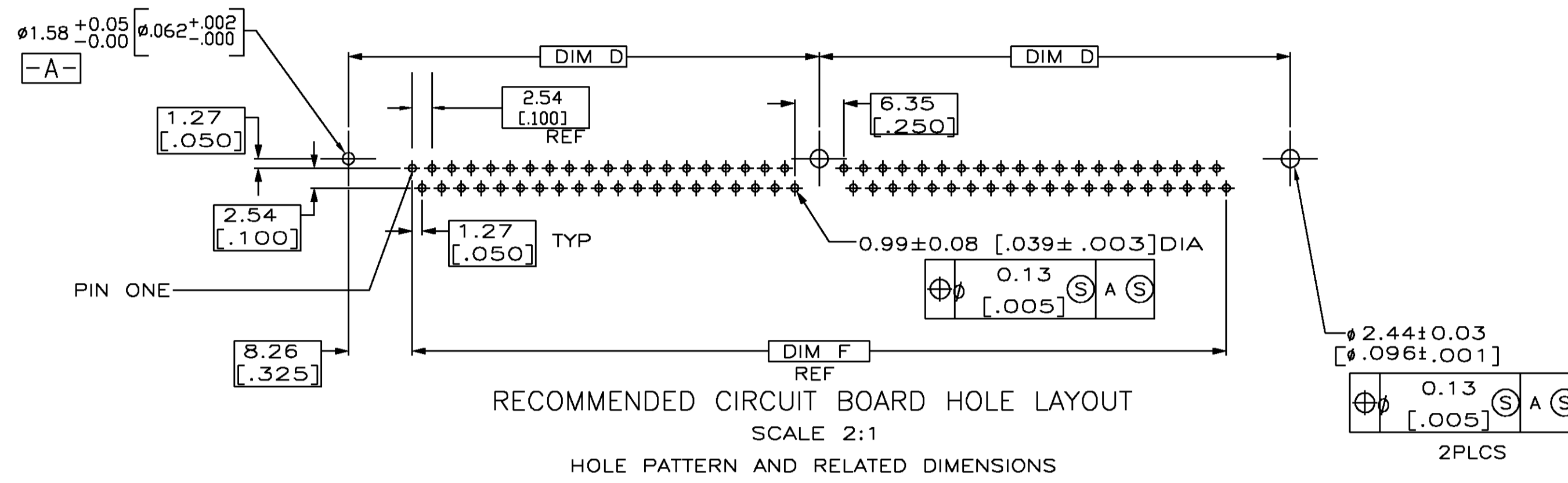


SECTION W-W
 SCALE 8:1

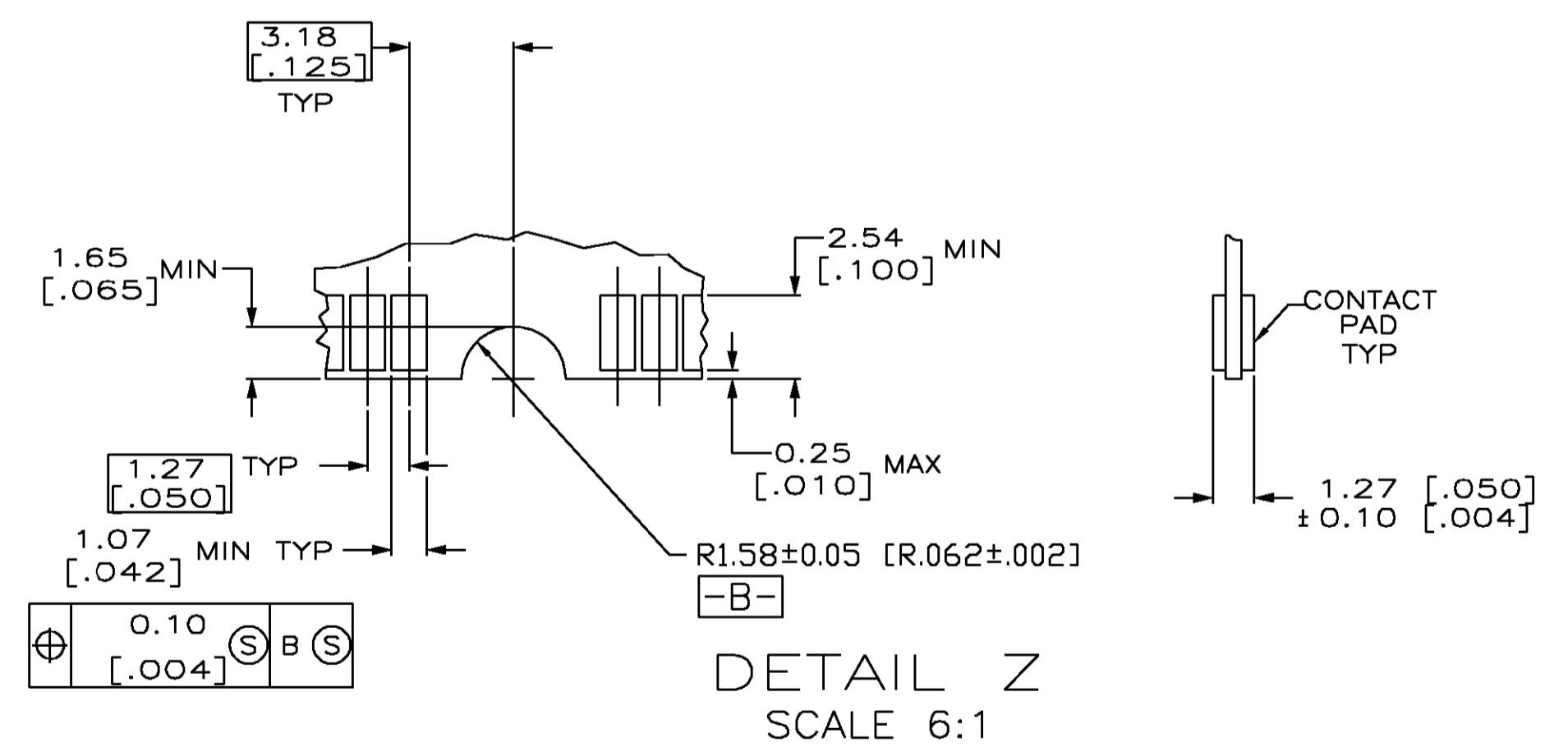
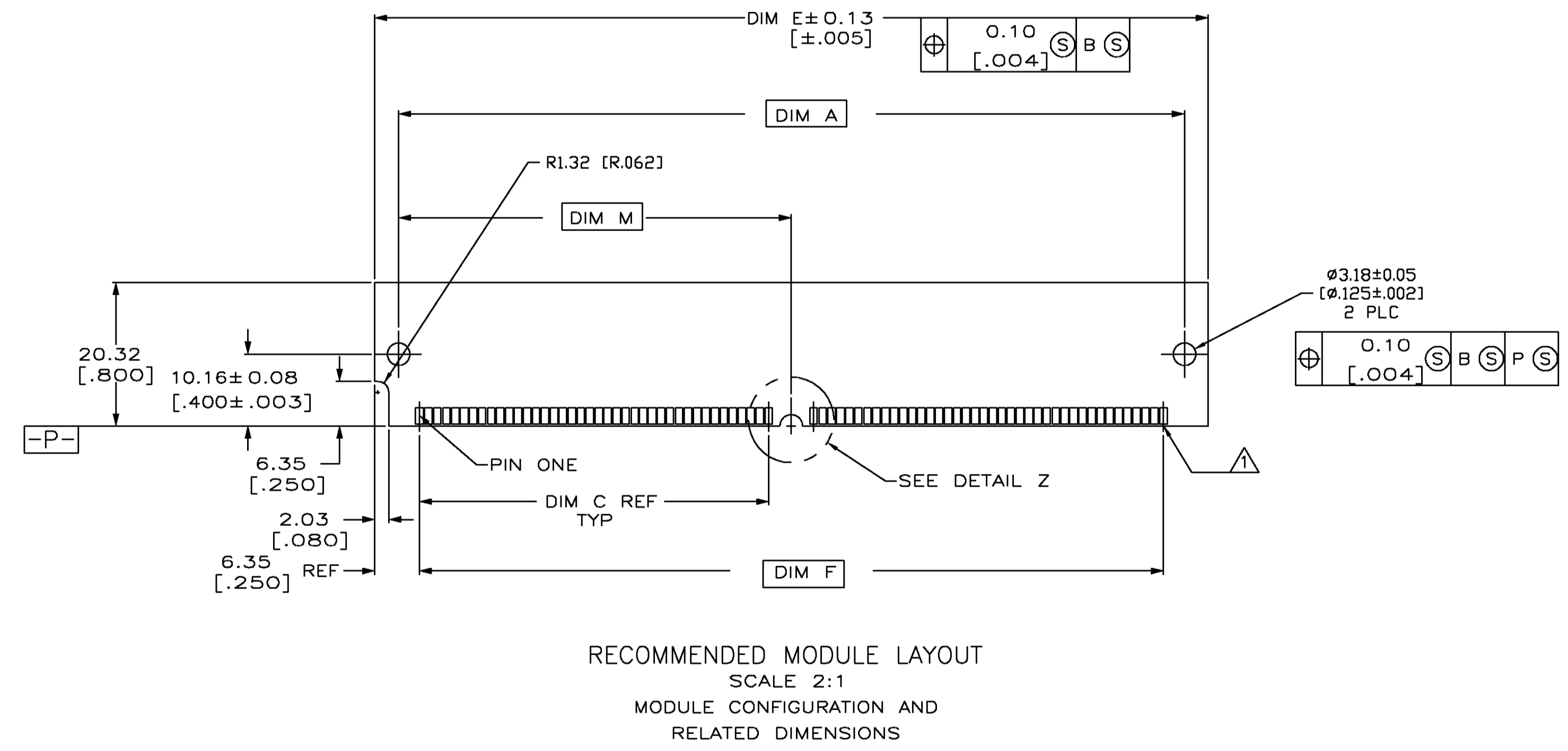
THIS DRAWING IS A CONTROLLED DOCUMENT.		DRW R. TALLEY	7-25-90	AMP Tyco Electronics Corporation mt. joy, pa 17552	
DIMENSIONS:		APVD	NAME	SIMM II, RTANG, 1.27 [.050] CENTERLINE ASSY.	
TOLERANCES (UNLESS OTHERWISE SPECIFIED):		PRODUCT SPEC	APPLICATION SPEC	3.18 [1.25] HGT	
0 PLC	±			SIZE	A1
1 PLC	±			CAGE CODE	00779
2 PLC	±			DRAWING NO	382481
3 PLC	±			RESTRICTED TO	
4 PLC	±			SCALE	4:1
ANGLES:	±			SHEET	1 OF 2
MATERIAL	HSG:GLASS REINF	FINISH		REV	G
CUSTOMER DRAWING					

THIS DRAWING IS UNPUBLISHED. RELEASED FOR PUBLICATION
 © COPYRIGHT BY TYCO ELECTRONICS CORPORATION. ALL RIGHTS RESERVED.

REVISONS		DATE	BY	APPD
GP	00			



- ⚠ FOR OPTIMUM PERFORMANCE, CONTACT PAD PLATING SHOULD BE SMOOTH AND FLAT. COPPER CONTACT PADS ARE TO BE OVERPLATED WITH 0.00127[.00050] MIN THK NICKEL FOLLOWED WITH 0.00101[.000040] MIN THK GOLD PLATING.
- ⚠ FEATURES AT EACH END ALIGN CONNECTOR FOR PROPER PLACEMENT WHEN USING ROBOTIC INSERTION.
- ⚠ CONTACT MATING AREA:
 0.00076 [.000030] MIN THICK GOLD.
 SOLDERTAIL:
 0.00381[.000150] MIN THK TIN-LEAD.
 UNDERPLATE:
 0.00127[.000050] MIN THK NICKEL OVER ENTIRE CONTACT.



OBSOLETE	58.22[2.292]	127.00[5.000]	110.49[4.350]	123.19[4.850]	63.50[2.500]	52.07[2.050]	130.81[5.150]	116.43[4.584]	84	8-382481-4
OBSOLETE	55.68[2.192]	121.92[4.800]	105.41[4.150]	118.11[4.650]	60.96[2.400]	49.53[1.950]	125.73[4.950]	111.35[4.384]	80	8-382481-0
OBSOLETE	50.60[1.992]	111.76[4.400]	95.25[3.750]	107.95[4.250]	55.88[2.200]	44.45[1.750]	115.57[4.550]	101.19[3.984]	72	7-382481-2
OBSOLETE	48.06[1.892]	106.68[4.200]	90.17[3.550]	102.87[4.050]	53.34[2.100]	41.91[1.650]	110.49[4.350]	96.11[3.784]	68	6-382481-8
OBSOLETE	30.28[1.192]	71.12[2.800]	54.61[2.150]	67.31[2.650]	35.56[1.400]	24.13[.950]	74.93[2.950]	60.55[2.384]	40	4-382481-0
	DIM M	DIM J	DIM F	DIM E	DIM D	DIM C	DIM B	DIM A	POSN	

THIS DRAWING IS A CONTROLLED DOCUMENT. DATE: 7-25-90
 CHK: R. TALLEY
 DIMENSIONS: 0 PLC ±, 1 PLC ±, 2 PLC ±, 3 PLC ± 0.13[.005], 4 PLC ±, ANGLES: -
 TOLERANCES UNLESS OTHERWISE SPECIFIED:
 MATERIAL: - FINISH: - WEIGHT: -
 CUSTOMER DRAWING: -
 PRODUCT SPEC: - APPLICATION SPEC: -
 SIZE: A1 CAGE CODE: 00779 DRAWING NO: 382481
 Tyco Electronics Corporation mt. joy, pa 17552
 SIMM II, RTANG, 1.27 [.050] CENTERLINE ASSY 3.18 [1.25] HGT
 SCALE: 4:1 SHEET 2 OF 2 REV G